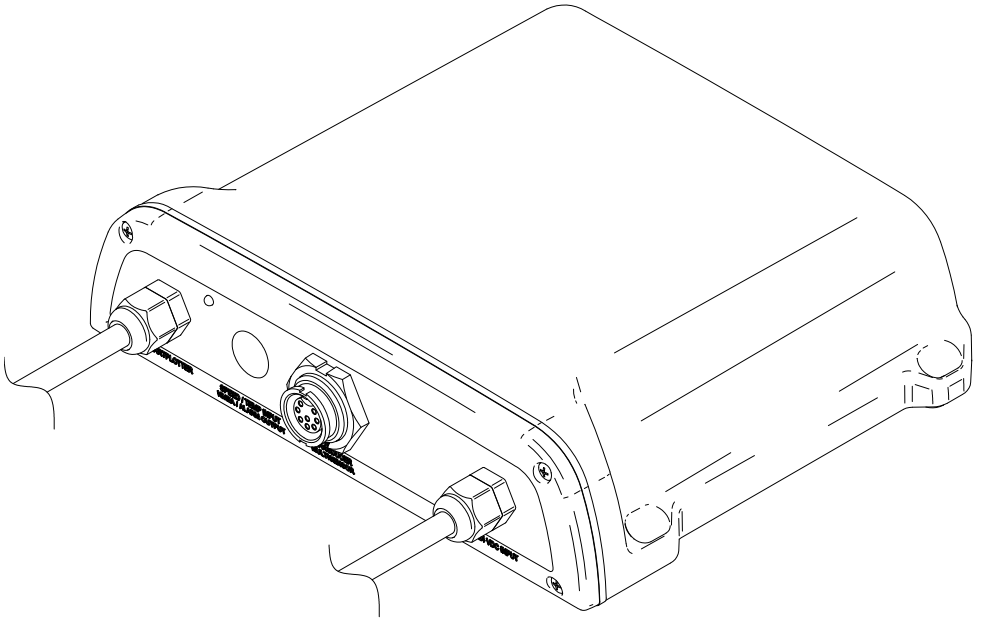


MMOS1OLA010

Olex



OS1

WARNING AND INSTALLATION MANUAL

1. Warranty and warnings

Olex AS warrants every units to be free from defects in material and workmanship under normal use and service for a period of 12 months from original retail purchase. During the warranty period, **Olex AS** will repair or replace any component which fails in normal use without charges for parts or labour. Technological developments, modifications and upgrades of software are not covered by warranty (except commercial decision). To receive warranty service, contact your local authorized dealer for shipping instructions. The device should be securely packed with its tracking code clearly written on the outside of the package, shipping to be paid by the customer. Include a copy of the original sales receipt as the proof of purchase. This limited warranty does not extend to any device which has been subjected to misuse, neglect, accident, incorrect wiring or improper installation. **Olex AS** reserves the right to repair or replace the device at its sole discretion.

For more warranty information please see the web site: www.olex.no

For technical advice or assistance contact: olex@olex.no

Olex AS







Pirsenteret

Havnegata 9

N - 7010 Trondheim, Norway

Phone:+47 73 54 61 99

E-mail: olex@olex.no

	If water leaks into the equipment, immediately turn off the power at the switchboard. Fire or electrical shock can result.
	If the equipment is giving off smoke or fire, immediately turn off the power at the switchboard. Fire or electrical shock can result.
	Do not open the equipment. The equipment operates at high voltage that can cause electrical shock.
	Extensive exposure to heat may result in damage to the device.
	Please read the device manual before first operation. If you have any questions, please contact customer service or your local dealer.
	CAUTION: Risk of electric shock! Do not connect or disconnect peripheral instruments before completely powering down your navigation system. Failure to power down may result in electric shock and/or damage to your equipment, especially in the case of depth sounder and fish finder transducers, which employ powerful electrical impulses.

Please, refer to the Olex Manual for instructions on how to operate the OS1 Echosounder.

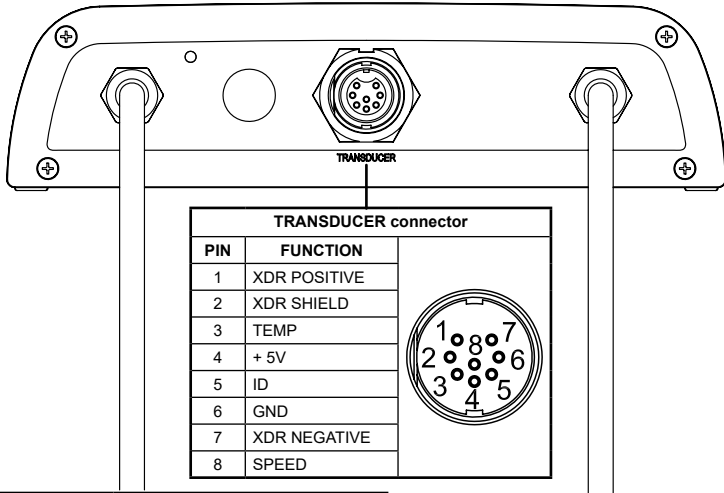
2. Technical Specifications

OS1 is an plug&play echosounder module to add fishfinder and echosounder capabilities to the Olex system.

2.1 Content of the package

- OS1 Echosounder, including:
 - Serial cable with female DB-9 connector, 3.0 m (10 feet)
 - Power cable with bare wires, 1.5 m (5.0 feet)
- Transducer adapter cable with BlackBox 8 pin Male connector & Bare Wires, 0.9 m (3 feet)
- Fuse holder with 5A fuse
- Installation Manual

3. Connections scheme



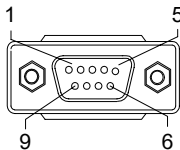
TRANSDUCER connector	
PIN	FUNCTION
1	XDR POSITIVE
2	XDR SHIELD
3	TEMP
4	+ 5V
5	ID
6	GND
7	XDR NEGATIVE
8	SPEED

OS1 to Olex System cable with Female DB-9 connector			
PIN	Wire color	Function	Olex System Function
3	GREY OR WHITE	OS1 RX+	OUTPUT +
2	BROWN OR YELLOW	OS1 TX+	INPUT +
5	BLACK	OS1 GND	GND

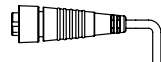
POWER Cable	
Wire color	Function
BLACK	GND
RED	POWER SUPPLY 10-35 VDC



Female DB-9 connector



Transducer adapter cable



Transducer adapter cable bare wires	
Wire color	Function
BLUE	Positive transducer
BLACK	Negative transducer
WHITE	Positive temperature
BROWN	Ground temperature
SHIELD	Ground

NOTE: Serial ground and transducer shield/negative are interconnected to the device ground.

4. Product conformity information

4.1 FCC compliance

This device complies with part 15 of the FCC Rules. Operation is subject to the following two conditions: (1) This device may not cause harmful interference, and (2) This device must accept any interference received, including interference that may cause undesired operation.

This equipment has been tested and found to comply with the limits for a Class A digital device, pursuant to part 15 of the FCC Rules. These limits are designed to provide reasonable protection against harmful interference when the equipment is operated in a commercial environment.

This equipment generates, uses, and can radiate radio frequency energy and, if not installed and used in accordance with the instruction manual, may cause harmful interference to radio communications.

Operation of this equipment in a residential area is likely to cause harmful interference in which case the user will be required to correct the interference at his own expense.

Changes or modifications not expressly approved by AvMap Satellite Navigation Inc. could void the user's authority to operate the equipment.

Compliance information statement

Identification of the product	Name	P/N
	OS1	UX0BBF20OL
Applicable compliance statements	This device complies with part 15 of the FCC Rules. Operation is subject to the following two conditions: (1) This device may not cause harmful interference, and (2) This device must accept any interference received, including interference that may cause undesired operation.	
Responsible party	Name	AvMap Satellite Navigation Inc.
	Address	25 Enterprise Zone Drive, Riverhead, NY 11901 USA
	Phone	+1-800-363-2627
	Website	www.avmap.us

4.2 EU declaration of conformity

This device complies with Directive 2014/30/EU and Directive 2014/35/EU.

The full text of the EU declaration of conformity is available at the following internet address:
eudeclaration.avmap.it

4.3 Simplified UK declaration of conformity

This device complies with Electromagnetic Compatibility Regulations 2016 (SI 2016/1091) and Electrical Equipment (Safety) Regulations 2016 (SI 2016/1101).

The full text of the UK declaration of conformity is available at the following internet address:
eudeclaration.avmap.it

5. Safety Information

OLEX AS disclaims any liability deriving from an improper use or installation of the product in a way that may violate the regulations and safety. It is highly recommended that the installation of the product will be performed by a qualified maintenance technician. Consult the Installation manual for a correct installation procedure.

6. Technical Specifications

- Size: 196.4mm x 164.9mm x 50mm (7,73" x 6,49" x 1,9")
- Weight: 600 g
- Supply Voltage: 10-35 Vdc
- Transducer Frequency: CHIRP LF/MF/HF (40 to 210 kHz) | CW 50/200 kHz
- Transducer Power: From 300 W to 1 kW
- Compatible with Echonautics, Airmar, Radarsonics and Simrad transducers.
- IPX6 Waterproof and shock resistant housing
- Operating temperature: -20°C / +60°C (-4°F / +140°F)
- Storage Temperature: -40°C / +85°C (-40°F / +185°F)

NOTE: Check at www.olex.no for the latest Olex software version to be compatible with this device.